



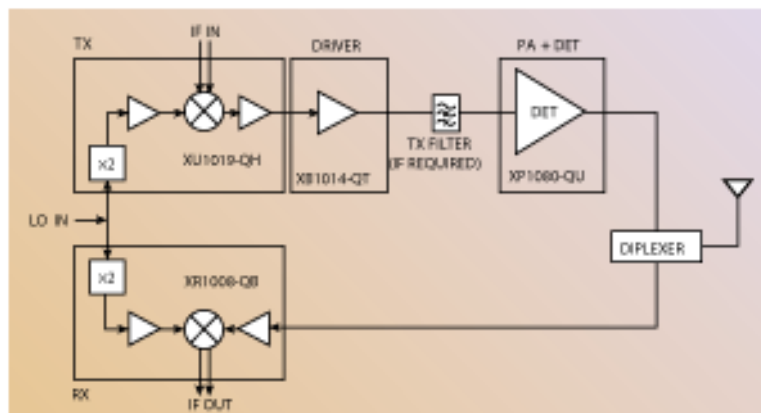
## Celebrating 2009: The Year of MMIX / October

*providing optimal semiconductor solutions worldwide*

2009 translates in Roman numerals to "MMIX." It only happens once, so Mimix Broadband is celebrating by declaring 2009... [the Year of MMIX](#). During the year, we'll highlight key advances in our product portfolio, as well as pay tribute to other engineering feats - specifically the Seven Wonders of the Modern World as chosen by the American Society of Civil Engineers.

### PRODUCT FEATURE: 38 GHz Mimix SmartSet *Meeting Market Needs!*

Mimix Broadband's new 38 GHz Mimix SmartSet products are high performance, highly integrated devices that are offered in SMT packages and include a receiver, up-converter, driver amplifier and power amplifier.



The XU1019-QH 38 GHz up-converter integrates a mixer, RF buffer, LO buffers, and LO doubler. The balanced mixer combines with an image rejection configuration, offering good nominal 2xLO leakage at the RF port.

Gain is provided by the linear driver amplifier [XB1014-QT](#), and the power amplification and detector functions are implemented in the [XP1080-QU](#). Linear gain control of the TX lineup can be achieved through drain current control of the XU1019-QH, XB1014-QT and

October 2009

38 GHz Mimix SmartSet  
Bridging the Gap!

### MIMIX IS BRIDGING THE GAP...



Mimix Broadband is bridging the market gap between our volume commercial products and Defense & Space applications like satellite, signal intelligence, defense communications systems, radar and aircraft platforms by providing high reliability and performance products at a practical cost. [Learn more!](#)

XP1080-QU.

The received signal is coupled into the [XR1008-QB](#) receiver, which integrates a low noise amplifier and image reject mixer.

## About Mimix Broadband

Mimix Broadband, Inc. supplies high performance gallium arsenide (GaAs) semiconductors from DC to 50 GHz for RF, microwave and millimeter-wave applications. Mimix has offices in Houston, Sydney, Belfast and Hsinchu, and offers a unique combination of semiconductor design expertise and communications systems background to develop state-of-the-art RF, microwave and millimeter-wave semiconductors. Mimix markets a highly diversified product line that serves the top tier telecom, satellite and defense companies worldwide. Learn more at [www.mimixbroadband.com](http://www.mimixbroadband.com).

### General Company Contact

Tel: 281.988.4600

Fax: 281.988.4615

[info@mimixbroadband.com](mailto:info@mimixbroadband.com)

### Field Application Engineers

Tel: 281.988.4600

[technicalhelp@mimixbroadband.com](mailto:technicalhelp@mimixbroadband.com)

Best Regards,



Julie Teinert

Vice President Marketing

Tel: 281.988.4600 / [jteinert@mimixbroadband.com](mailto:jteinert@mimixbroadband.com)

[Forward email](#)

 **SafeUnsubscribe®**

This email was sent to [mimix@tinsleypr.com](mailto:mimix@tinsleypr.com) by [mimix@tinsleypr.com](mailto:mimix@tinsleypr.com).

[Update Profile/Email Address](#) | Instant removal with [SafeUnsubscribe™](#) | [Privacy Policy](#).

Mimix Broadband, Inc. | 10795 Rockley Rd. | Houston | TX | 77099

### Quick Links

[Complete Product Line](#)

[Company News](#)

[More About Mimix](#)

[SALES REP LOCATOR](#)

Locate a Mimix Sales Rep  
in Your Area!

[Join Our Mailing List!](#)

Email Marketing by

